

**PICK & CARRY CRANE**

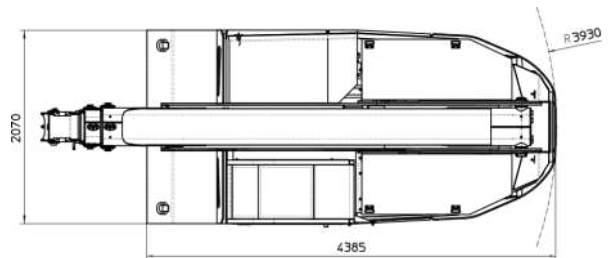
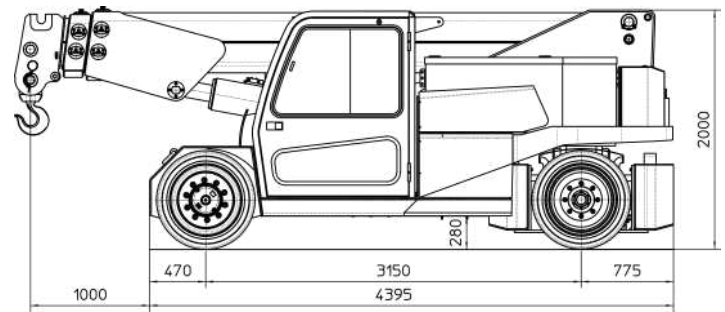
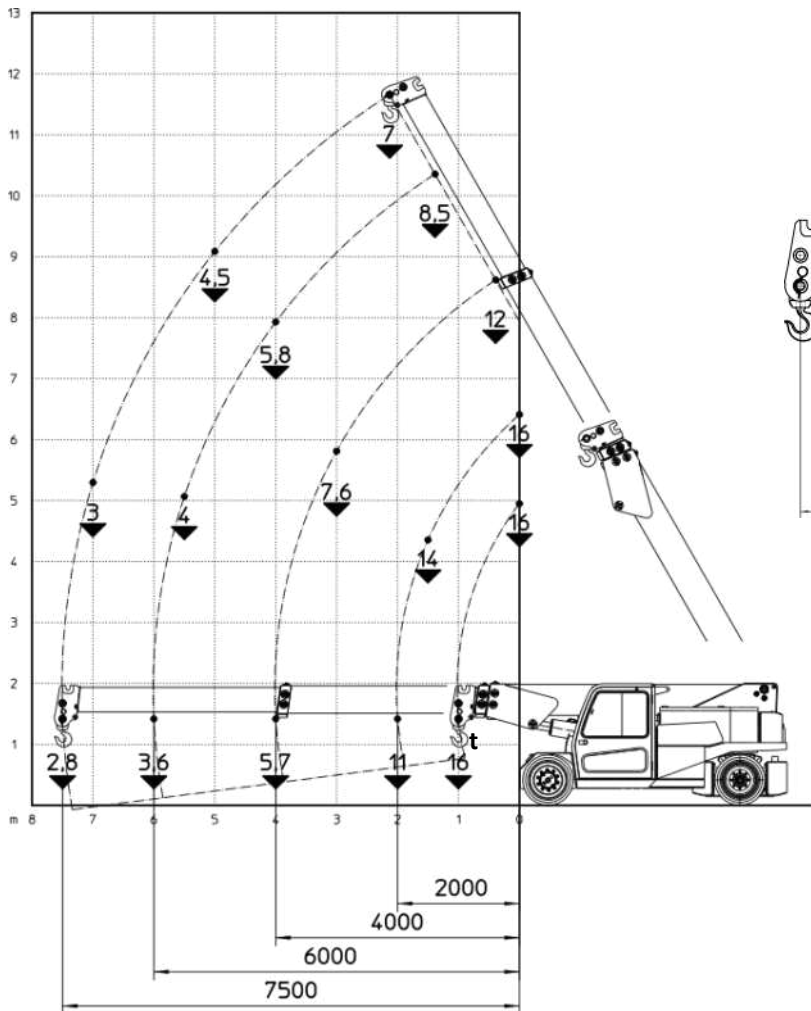


**MC 160 - Max capacity 16 t**



**Electric by battery**

# MC 160



mm

MODEL	MC 160
CRANE CLASSIFICATION ACCORDING TO UNI ISO 4301-1	A3
REFERENCE STANDARDS	2006/42 CE - 2004/108 CE I.S.P.E.S.L. DIN 15018 (1,3) - 15019 (1) Class H2 B3 ANSI B30.5 - 2007 and subsequent modifications
TRACTION	Electric
BOOM ACTIVATION	Hydraulic
POWER TYPE	Electric battery
MAX. CAPACITY (kg)	16000
TOTAL WEIGHT (kg)	18000
BOOM ANGLE TOPSIDE (°)	60
BOOM ANGLE DOWNSIDE (°)	-8

**FRAME:** JMG designed and manufactured, box type, torsion resistant design of high strength structural steel.

**BOOM:** Made of moulded and welded quality steel plate, comprised of a base unit, and two hydraulic extensions (proportional telescopic boom)

**TRACTION MOTOR:** Electric motor 2x10 kW 96 V AC, insulation class K1H.

**BATTERY:** 96 V – 1035 Ah.

**POWER DRIVE:** Electronic speed control, MOSFET type.

**TRANSMISSION:** Front axle through geared reducer wheel gears.

**WHEELS:** Front axle: 4 superelastic wheels 355x50-20"

Rear axle: 2 superelastic wheels 355x50-20"

**FRENATURA:** Service brake: hydraulic, pedal operated. Parking and emergency brake: hydraulic with automatic control.

**STEERING:** On the rear wheels by hydraulic motor controlled by hydrostatic power steering with load sensing priority valve. The supply of the hydrostatic system is guaranteed by the 12kW electric gear pump system of the crane.

**HYDRAULIC SYSTEM:** Powered by electric gear pump. Actuators controlled through electro-proportional distributor with electronic joystick. Filter and safety valve. 22 MPa max pressure.

**SAFETY DEVICES:** Electronic load moment indicator.

**OPTIONALS (at extra charge):** Hydraulic winch - Jib - Non-marking wheels - Man basket - Hydraulic chain hoist - Cable remote control - Radio remote control - Fork attachment



**JMG CRANES S.r.l.** - Via Sito Nuovo, 16 - 29010 SARMATO (PC) - ITALY

Tel. +39 0523 887297 - fax +39 0523 848000 www.jmgcranes.com - info@jmgcranes.it

